

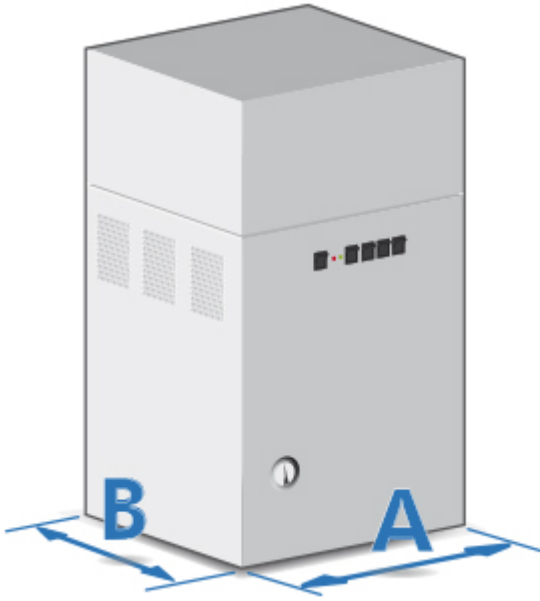
GEYSER 58 L

Electric steam generators with 58 litres boiler and modular heating elements. Available from 45 kW to 75 kW size.

Product codes: 1645, 1672, 1673, 1672TRON, 1673TRON

| **Category:** [STEAM GENERATORS](#) | **Tags:** [DRYCLEANING](#), [GARMENT MANUFACTURERS](#), [LARGE HOTELS AND COMMUNITY PROFESSIONALS](#), [WETCLEANING](#)

DESCRIZIONE:

**Compact**

- Compact design, small footprint.
- With two free sides for easy location.
- Easy installation.

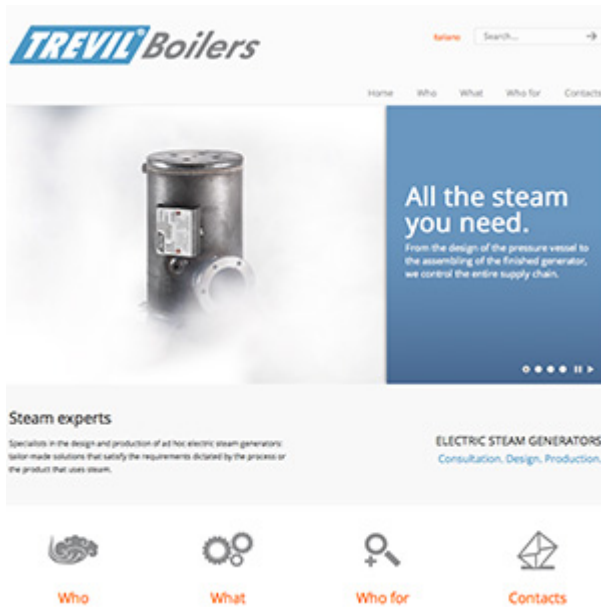


Designed for energy saving

- Modular heating elements: turn on only what you need. The optional Geyser-TRON device allows further savings.
- High performance insulation for higher efficiency.
- Optional condensate recovery tank.
- Optional heat recovery “economizer” device.
- Except in case of extremely hard water, no water softening is required.

**Safe and durable**

- No exposed hot or electrical parts.
- Alarm light on front panel.
- Double protection against overheating and overpressure.
- High quality materials: stainless steel water tank, all-metal piping.
- Insulation cover of the pressure vessel made of fireproof material.



Customizable

Our TREVIL Boilers business unit offers consulting services and custom design for your special applications. Visit www.trevilboilers.com to learn more about what TREVIL Boilers can do for you.

|

MAIN FEATURES



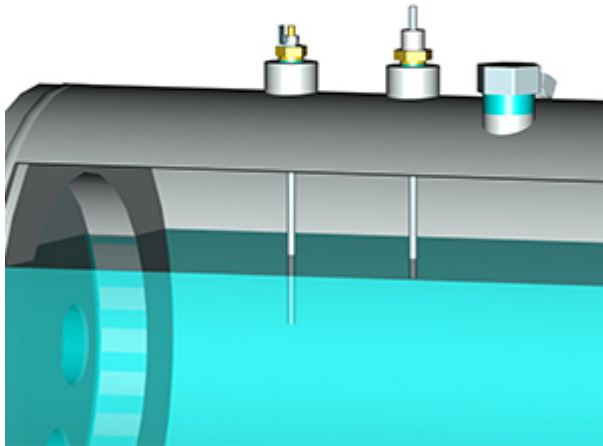
Modular heating elements

La The total power of the generator is split into smaller heating elements that may be individually controlled. The number of heating elements in function can be changed according to steam consumption. The (optional) Geysier-TRON system performs this action automatically.



Incoloy elements

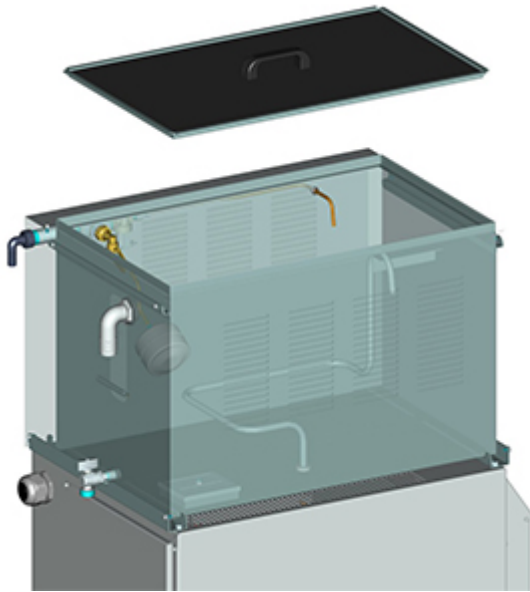
We use premium Incoloy elements which feature superior resistance to heat and stress corrosion. Incoloy elements also reduce the need for boiler cleaning, as they naturally remain cleaner from limescale compared to other materials.



Electronic level control

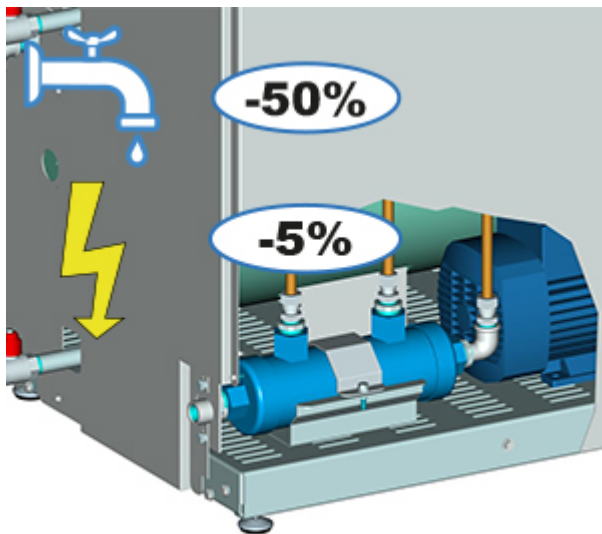
The water level in the boiler is electronically controlled and refilled by an electric pump. Check valves prevent water backflow into the supply line and boiler flooding during hours of inactivity. The level control circuit has been designed so as to prevent phenomena of galvanic corrosion. The level control circuit has built-in protections against generator malfunction, for example dry running and excess pressure. There is no floating ball and therefore no mechanical parts that may fail.

OPTIONS



Condensate recovery tank

Each boiler can be equipped with a stainless steel water tank for condensate recovery. The temperature in the water tank is controlled by thermostat. There is no steam plume.



Economizer

The economiser allows 50% saving on water consumption and 5% on energy consumption.

The condensate recovery tank, by itself, allows saving water and energy. Higher savings can be reached implementing our economizer, that is a heat exchanger which pre-heats the water entering the boiler exploiting the latent heat of condensate entering the tank.

The economizer is particularly recommended in systems that produce much condensate.



Geyser-TRON automatic power management

The exclusive Geyser-TRON system automatically modulates the active power of the boiler according to the actual steam consumption of the system, thus avoiding waste.

In a Geyser boiler, the total installed power is provided by several heating elements. The Geyser-TRON electronic system is able to recognise how much steam the system actually needs, and switches on just the number of heating elements needed to provide that steam output. If steam consumption increases, it switches on one or more additional heating elements; if consumption decreases, it switches them off.

Geyser-TRON is available as an option on Geyser generators 24 kW and over.

**160A main switch**

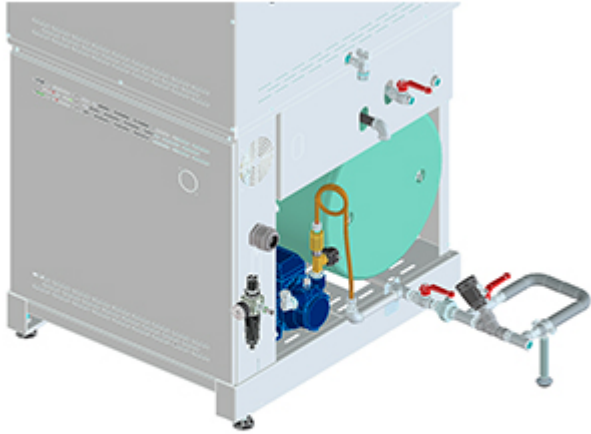
The switch is located on the body of the boiler.

In the ON position it blocks the opening of the bodywork in front of any type of forcing, in the OFF position it removes voltage from the boiler.



Ventilation electrical system

The system prevents overheating of the electrical panel when the generator is installed in a warm environment.



Automatic drain valve

The system allows you to drain condensate automatically. The presence of compressed air is required.

TECHNICAL SPECIFICATIONS

	1645	1672	1673
Description	45 kW steam generators for central steam plants	60 kW steam generators for central steam plants	75 kW steam generators for central steam plants
Electrical requirements	400V 3N 50Hz 400V 3 50Hz 230V 3 50Hz 220V 3 60Hz	400V 3N 50Hz 400V 3 50Hz 230V 3 50Hz 220V 3 60Hz	400V 3N 50Hz 400V 3 50Hz 230V 3 50Hz 220V 3 60Hz
Total power	45,75 kW	60,75 kW	75,75 kW

	1645	1672	1673
Steam production	63 kg/h	84 kg/h	105 kg/h
Dimensions	810x821x822 mm 32"x32"x32"	810x821x822 mm 32"x32"x32"	810x821x822 mm 32"x32"x32"
Net weight	153 kg	153 kg	153 kg

	1672TRON	1673TRON
Description	60 kW steam generators for central steam plants with automatic power management	75 kW steam generators for central steam plants with automatic power management
Electrical requirements	400V 3N 50Hz 400V 3 50Hz 230V 3 50Hz 220V 3 60Hz	400V 3N 50Hz 400V 3 50Hz 230V 3 50Hz 220V 3 60Hz
Total power	60,75 kW	75,75 kW
Steam production	84 kg/h	105 kg/h
Dimensions	810x821x822 mm 32"x32"x32"	810x821x822 mm 32"x32"x32"
Net weight	153 kg	153 kg