

H SERIES FOR DRYCLEANING



Range of presses for drycleaners and finishing in garment manufacturing plants.

Product codes: 6001, 6003, 6201, 6203

| **Category:** [PRESSES](#) | **Tags:** [DRYCLEANING](#), [LARGE HOTELS AND COMMUNITY PROFESSIONALS](#), [WETCLEANING](#)

DESCRIZIONE: Range of presses for drycleaners and finishing in garment manufacturing plants. **Lower buck:** padded, steaming, with vacuum; **upper head:** padded and steaming.

Standard features

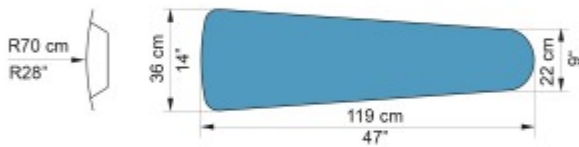
- hand guard
- pressing strength adjustment

- repositionable pedal

Main options

- reversed pedals
- set of timers for automatic cycle time control
- press lock/unlock lever system. Includes device for manual steaming
- built-in boiler (12 kW or 15 kW) with pump, electronic level control and optional water tank
- built-in suction motor
- separate compressor
- iron group

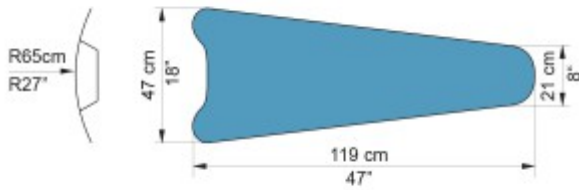
AVAILABLE SHAPES



U shape - Utility

Available in two versions:

- two buttons air operated;
- manual foot operation.



UP shape - Utility Legger

Available in two versions:

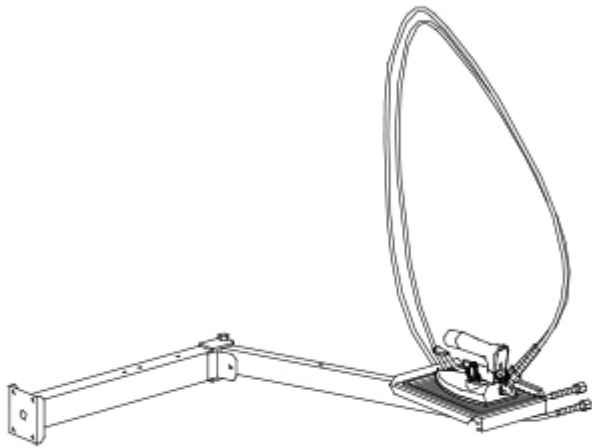
- two buttons air operated;
- manual foot operation.

Other shapes may be available upon request.

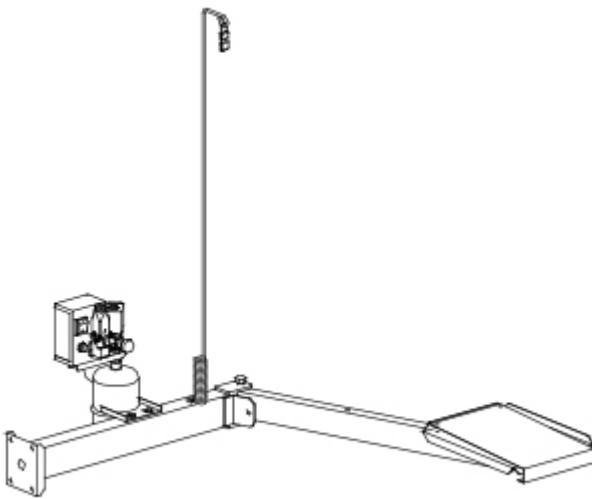
[Click here](#) to see the complete range.

|

AVAILABLE IRON GROUPS

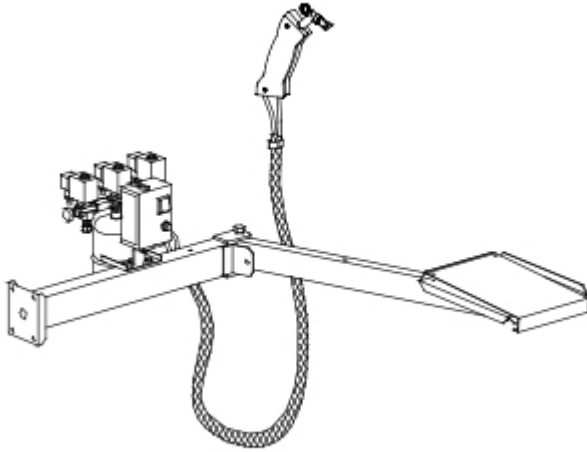


Iron rest on swing arm. F318 all-steam iron with connection hoses, steam trap and check valve. Available with or without safety device.



Iron rest on swing arm. Steam separator with electric box and set of hoses for iron connection.

Available with or without safety device. Iron not included.



Iron rest on swing arm. Steam separator with air/steam gun, electric box and set of hoses for iron connection. Available with or without safety device. Iron not included.

TECHNICAL SPECIFICATIONS

	6001	6003	6201	6203
Description	Utility press - Two buttons Air operated	Utility press - Manual foot press	Leg / Utility press - Two buttons Air operated	Leg / Utility press - Manual foot press
Electrical requirements	-	-	-	-
Total power	-	-	-	-
Steam consumption	12,6 kg/h	12,6 kg/h	12,6 kg/h	12,6 kg/h

	6001	6003	6201	6203
Dimensions	1250x1000x1765 mm 49"x39"x69"	1250x1000x1765 mm 49"x39"x69"	1250x1000x1765 mm 49"x39"x69"	1250x1000x1765 mm 49"x39"x69"
Net weight	270 kg	270 kg	350 kg	350 kg